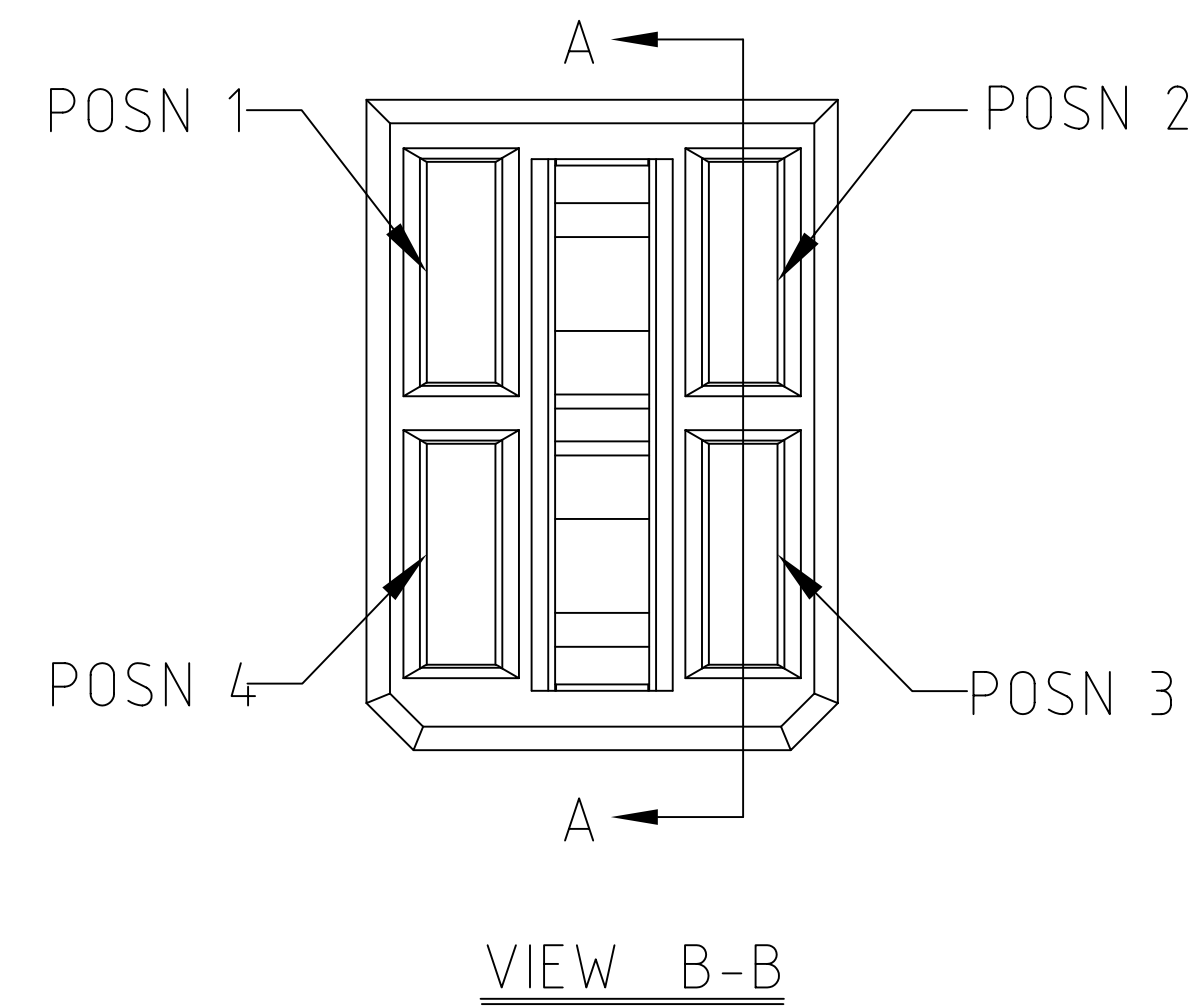
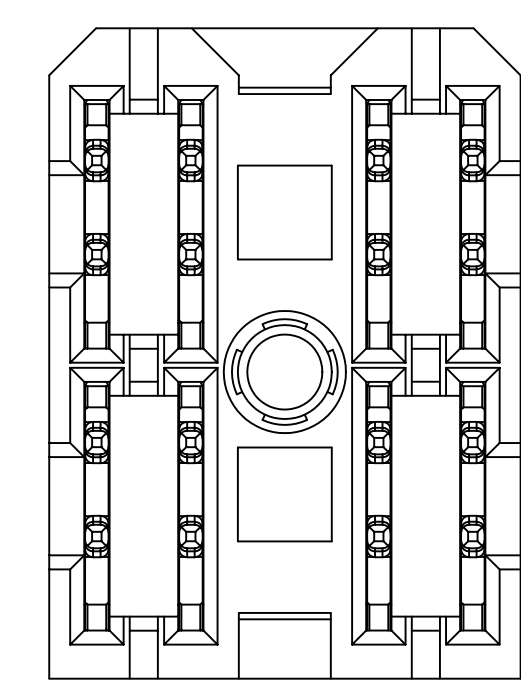
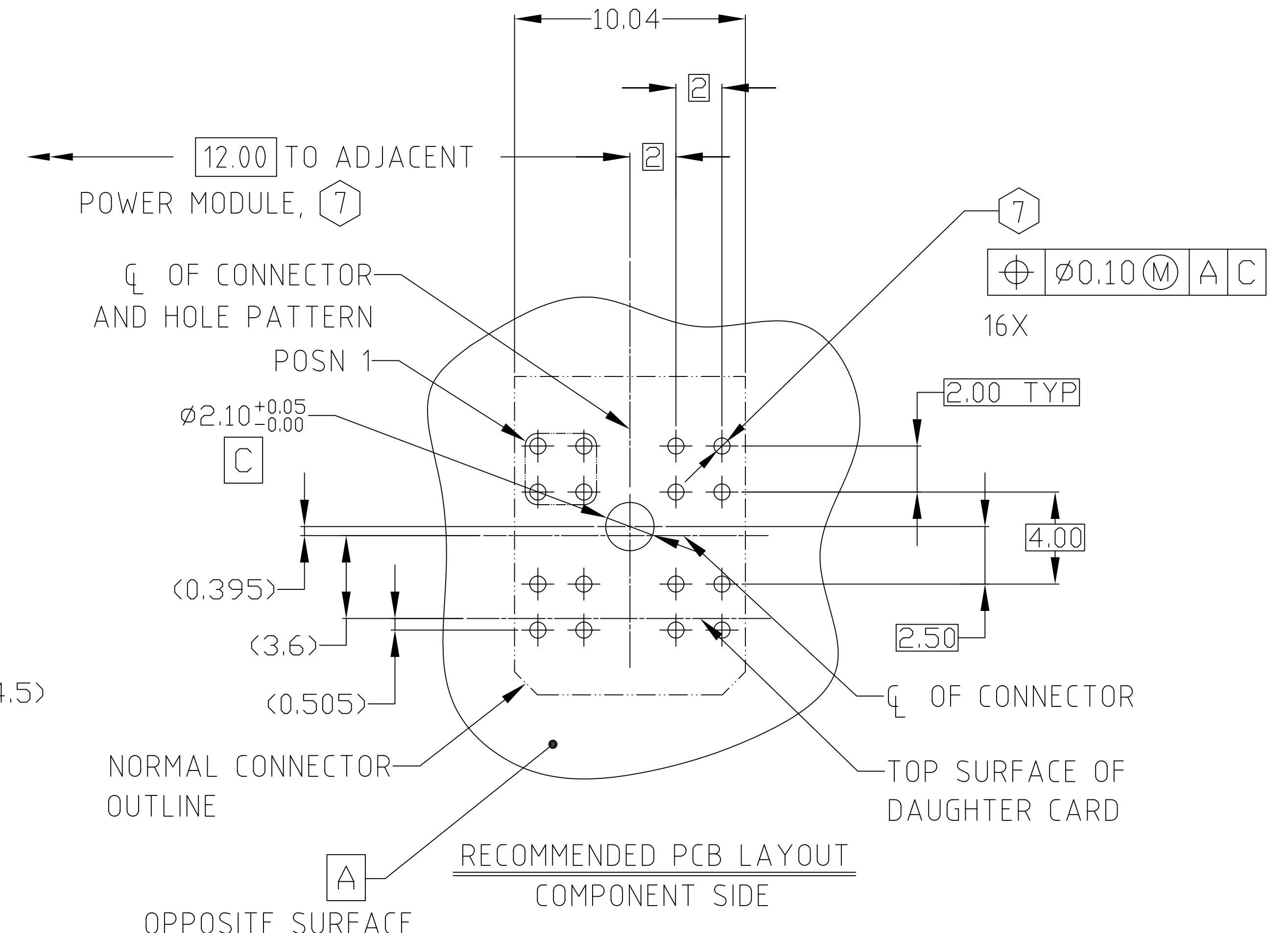
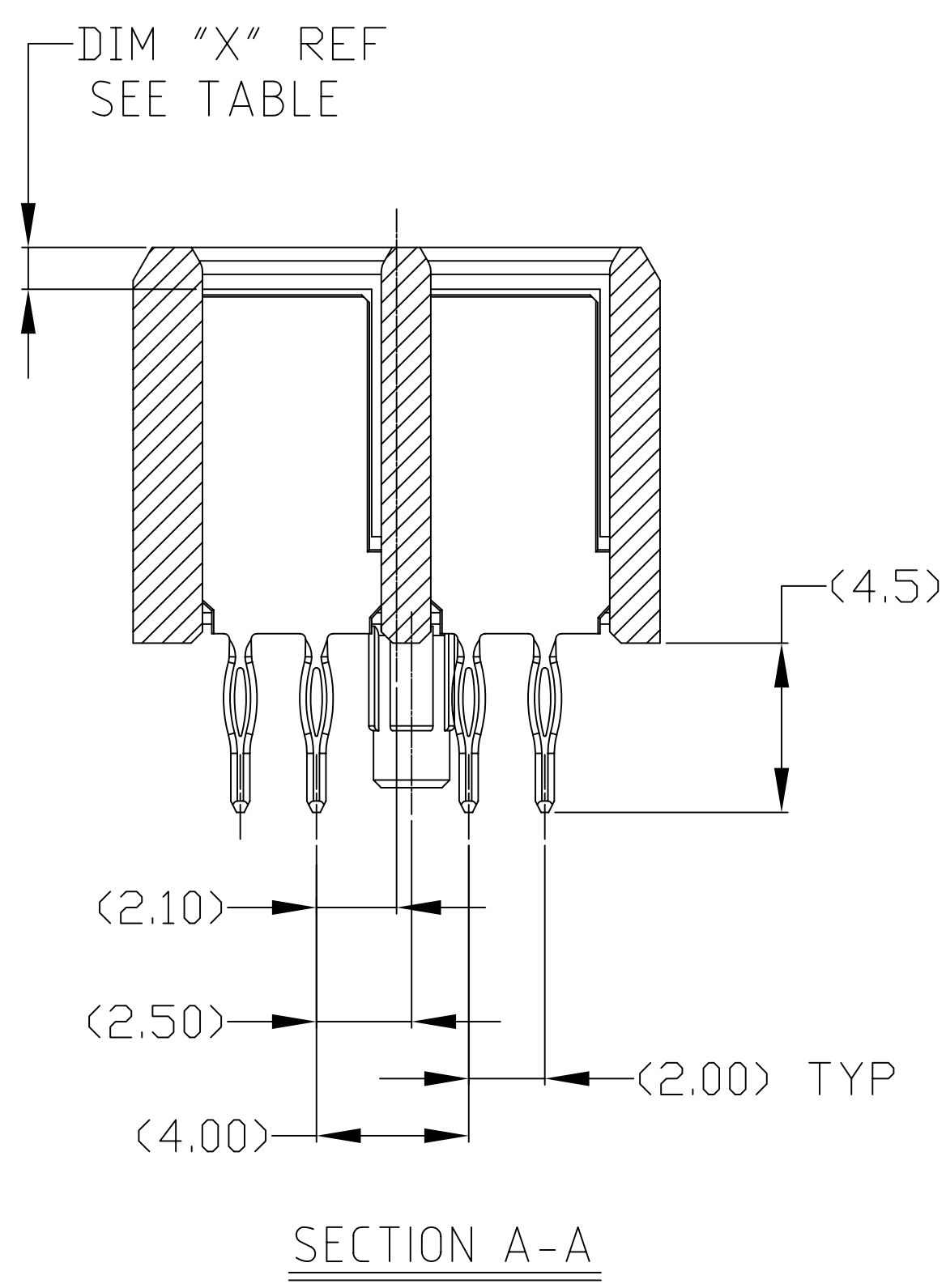
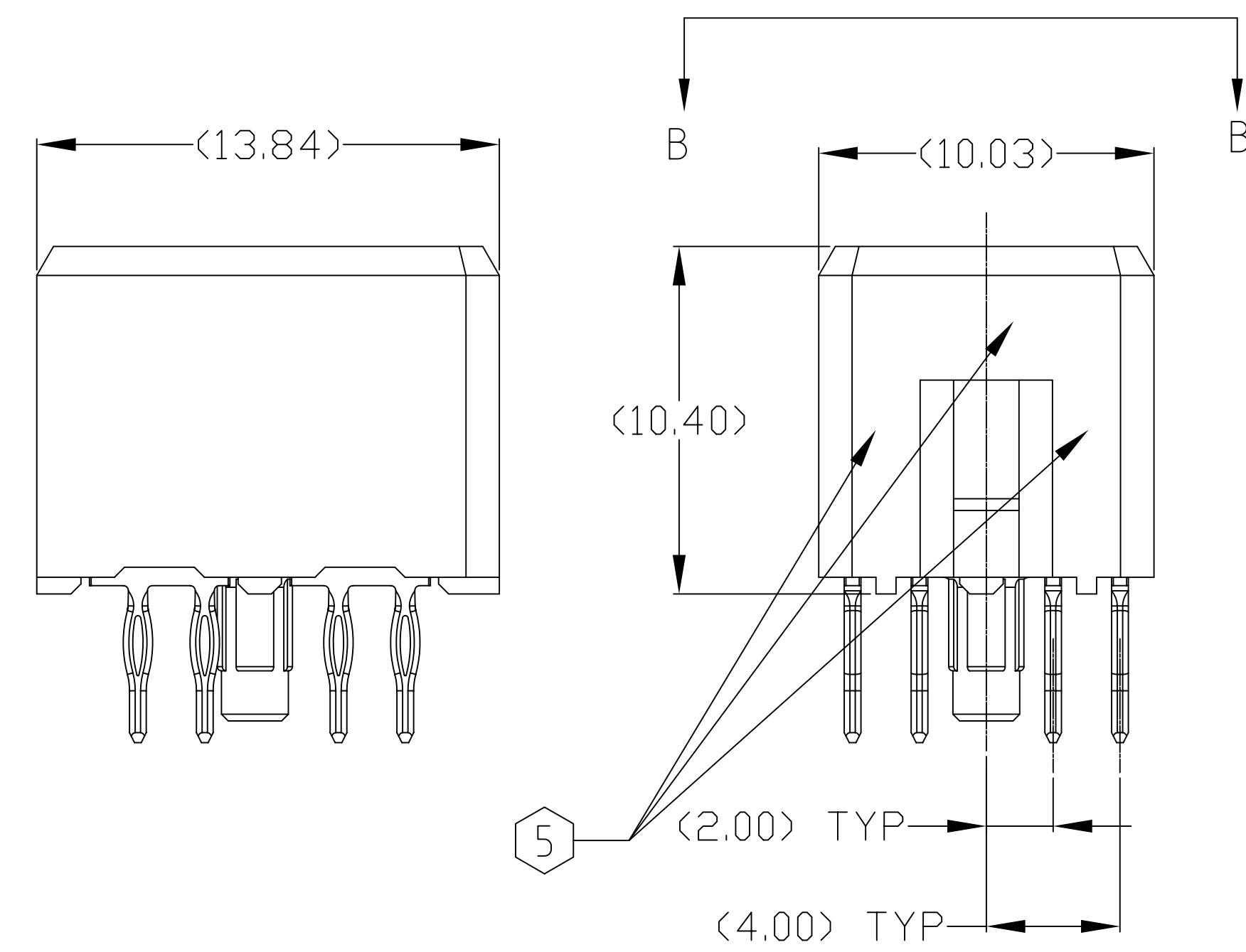


TABLE 1						
PRODUCT NUMBER	REVISION	PRESS FIT PIN PLATING TYPE	MATING LENGTH, DIM "X"			
			POSN 1	POSN 2	POSN 3	POSN 4
AA622-02000	D	Sn TAILS (2)	1.10	1.10	1.10	1.10
AA622-02010	D	Sn/Pb TAILS (8)	1.10	1.10	1.10	1.10
AA622-02001	D	Sn TAILS (2)	2.60	2.60	2.60	2.60
AA622-02011	D	Sn/Pb TAILS (8)	2.60	2.60	2.60	2.60
AA622-02002	D	Sn TAILS (2)	1.10	2.60	2.60	2.60
AA622-02012	D	Sn/Pb TAILS (8)	1.10	2.60	2.60	2.60
AA622-02003	D	Sn TAILS (2)	2.60	1.10	2.60	2.60
AA622-02013	D	Sn/Pb TAILS (8)	2.60	1.10	2.60	2.60
AA622-02004	D	Sn TAILS (2)	2.60	2.60	1.10	2.60
AA622-02014	D	Sn/Pb TAILS (8)	2.60	2.60	1.10	2.60
AA622-02005	D	Sn TAILS (2)	2.60	2.60	2.60	1.10
AA622-02015	D	Sn/Pb TAILS (8)	2.60	2.60	2.60	1.10
AA622-02006	D	Sn TAILS (2)	1.10	2.60	2.60	1.10
AA622-02016	D	Sn/Pb TAILS (8)	1.10	2.60	2.60	1.10
AA622-02007	D	Sn TAILS (2)	1.10	1.10	2.60	2.60
AA622-02017	D	Sn/Pb TAILS (8)	1.10	1.10	2.60	2.60
AA622-02008	D	Sn TAILS (2)	2.60	2.60	1.10	1.10
AA622-02018	D	Sn/Pb TAILS (8)	2.60	2.60	1.10	1.10



REV	SCR NO.	DESCRIPTION	BY	DATE	APPROVED
-	KLEC-6XWTV3.VER01	NEW RELEASE	HCL-BS	01/30/07	K.LEBLANC
A	KLEC-73BSCW.VER01	MODIFIED TABLE 2	HCL-GM	05/22/07	K.LEBLANC
B	KLEC-75FJ5Y.VER02	REMOVED TABLE 2	HCL-RB	08/03/07	K.LEBLANC
C	KLEC-79FTQX.VER01	ADDED LEAD FREE OPTIONS	HCL-MH	12/03/07	K.LEBLANC
D	KLEC-7JKR4M.VER01	ADDED LUBRICATION TO NOTE 2	HCL-MH	09/17/08	K.LEBLANC



INTERPRET PER ASME Y14.5M
CODE IDENT 31413

TOLERANCES	DWN	CHK	APVD
.00 ± 0.2	01/30/07 HCL-BS	01/30/07 K.LEBLANC	01/30/07 K.LEBLANC
.000 ± 0.1			
.0000 ± 0.05			
ANGLES ± 2°			

UNLESS OTHERWISE SPECIFIED DIMENSIONS ARE IN MILLIMETERS

Amphenol TCS
A Division of Amphenol Corporation
44 Simon Street, Nashua, N.H. 03060 (603) 879-3000

TITLE
AIRMAX VS ST RECEPTACLE ASSY
POWER,PRESS-FIT,2X2 POS,12MM

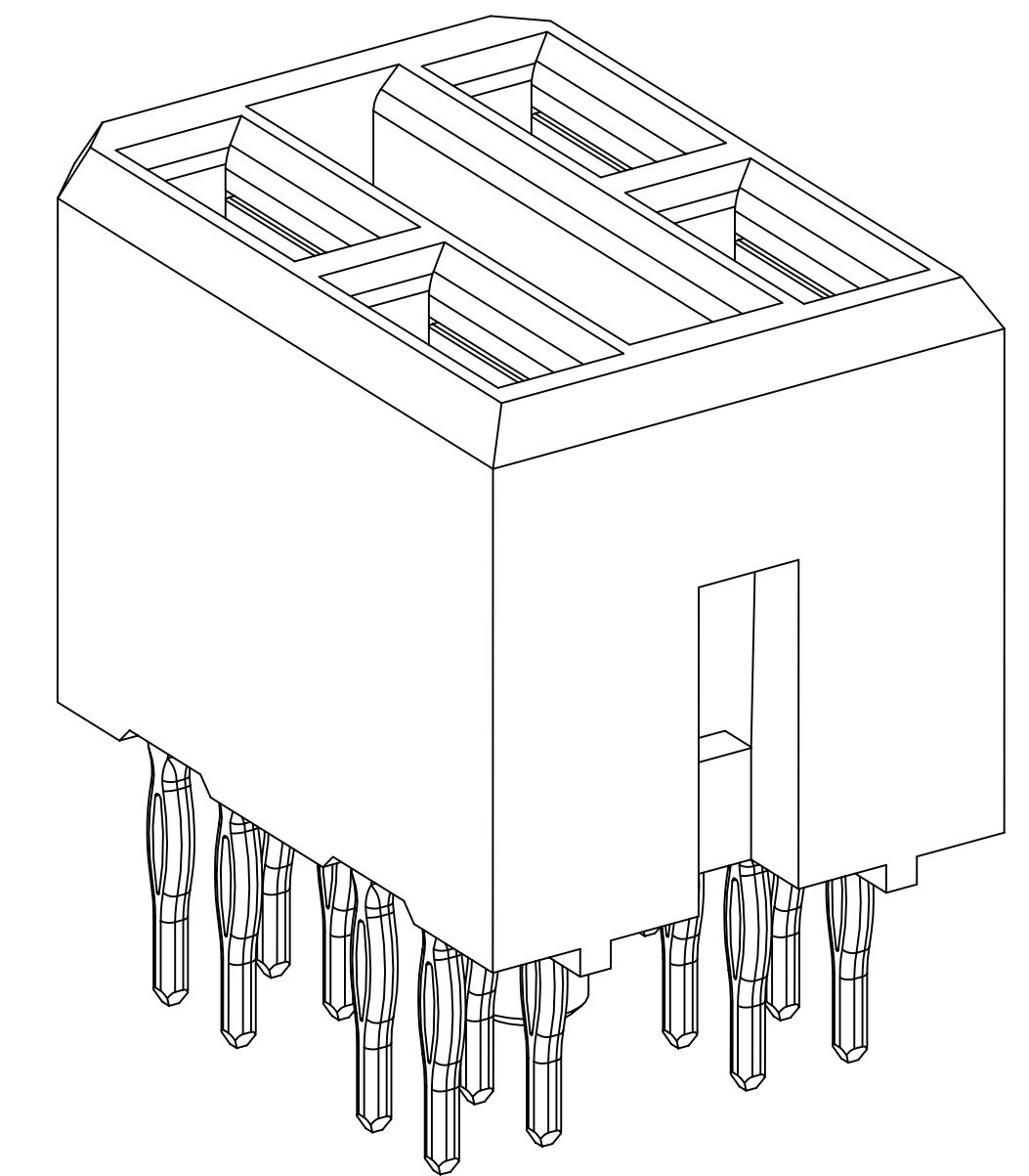
PART NO.	SEE TABLE 1	REV	
DRAWING NO.	CAA622-02500	REV	D
SIZE B	SCALE 3:1	SHEET 1 OF 2	

DWG NO. CAA622-02500 SH 1 REV D

REV	SCR NO.	DESCRIPTION	BY	DATE	APPROVED
		SEE SHEET 1			

NOTES:

- 1 CONTACT MATERIALS:
 HOUSING: HIGH TEMPERATURE THERMOPLASTIC, BLACK, UL 94V-0
 CONTACT: HIGH PERFORMANCE COPPER ALLOY
- ② CONTACT PLATING: SEE TABLE 1
 PRESS-FIT TAIL: SEE TABLE 1
 SEPARABLE INTERFACE: 0.76µm MIN GOLD OVER NICKEL
 SEPARABLE INTERFACE IS LUBRICATED WITH ELECTRICAL INTERFACE LUBRICANT.
- 3 PRODUCT SPECIFICATION: TB-2162
- 4 APPLICATION SPECIFICATION: TB-2163
- ⑤ PRODUCT MARKING, (PART NUMBER & LOT CODE) ON THIS SURFACE
- 6 MINIMUM NOMINAL PCB THICKNESS: 2.4mm
- ⑦ REFER TO CUSTOMER DRAWING CAA-PCB-5000 FOR INFORMATION REGARDING PCB LAYOUT, DRILL, AND FINISH DIAMETERS OF POWER AND GUIDE MODULES RELATIVE TO SIGNAL MODULES.
- ⑧ CONTACT PLATING: SEE TABLE 1
 PRESS FIT TAILS: 0.5 µm TIN-LEAD OVER NICKEL
 SEPARABLE INTERFACE: 0.76µm MIN GOLD OVER NICKEL



TOLERANCES		DWN 01/30/07 HCL-BS	Amphenol TCS A Division of Amphenol Corporation 44 Simon Street, Nashua, N.H. 03060 (603) 879-3000
.00	± 0.2	CHK 01/30/07 K.LEBLANC	
.000	± 0.1	APVD 01/30/07 K.LEBLANC	
.0000	± 0.05		
ANGLES		± 2°	TITLE AIRMAX VS ST RECEPTACLE ASSY POWER,PRESS-FIT,2X2 PDS,12MM
UNLESS OTHERWISE SPECIFIED DIMENSIONS ARE IN MILLIMETERS			
PART NO.		SEE TABLE 1	REV
DRAWING NO.		CAA622-02500	REV D
SIZE B	SCALE 3:1	SHEET 2 OF 2	

 INTERPRET PER ASME Y14.5M
CODE IDENT 31413

DWG NO. CAA622-02500 SH 2 REV D